

Flush Mounts



SHD-B-3100FP1

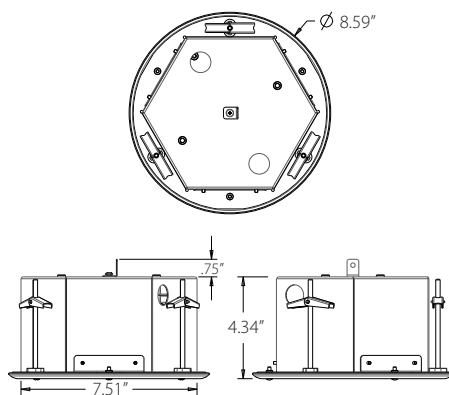
SHD-400F

Description	Plenum rated In-ceiling Flush Mount Accessory	In-ceiling flush mount
Operating Temperature	N/A	-22°F to 131°F (-30°C to 55°C)
Operating Humidity	N/A	Less than 90% RH
Materials	Body	Aluminum trim ring, galvanized steel backbox
	Bubble	N/A
Ingress Protection	N/A	N/A
Vandal Resistance	N/A	N/A
Dimensions (WxHxD)	External	8.6"x8.6"x4.6"
	Internal	6.5" Hex, various depth
Weight	2.25 lbs	1.0 lbs
Input Voltage	N/A	N/A
Power Consumption	N/A	N/A
Color	White trim ring, gray backbox	Ivory
Applicable Model	XNV-6080/6080R/8080R/L6080/L6080R PNV-9080R SNV-8080/8081R/7084/7084R/3120/5080/7082/7080R/5084/5084R/ 6084/6084R/3082 SND-5084/5084R/6084/6084R/7084/7084R/6083/6011R/L5083R/L6083R SCD-5080/5082/5083/5083R/6021/6083R SUD-5082 SCV-2080/3080/6081R	SNV-6013

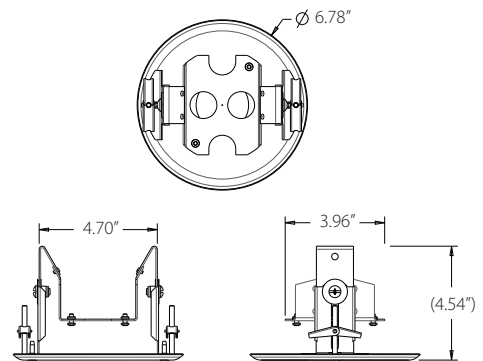
* Design and specifications are subject to change without notice

Dimensions

Unit : inch



SHD-B-3100FP



SHD-400F