

# XNZ-L6320

2MP H.265 32x Zoom Network Camera

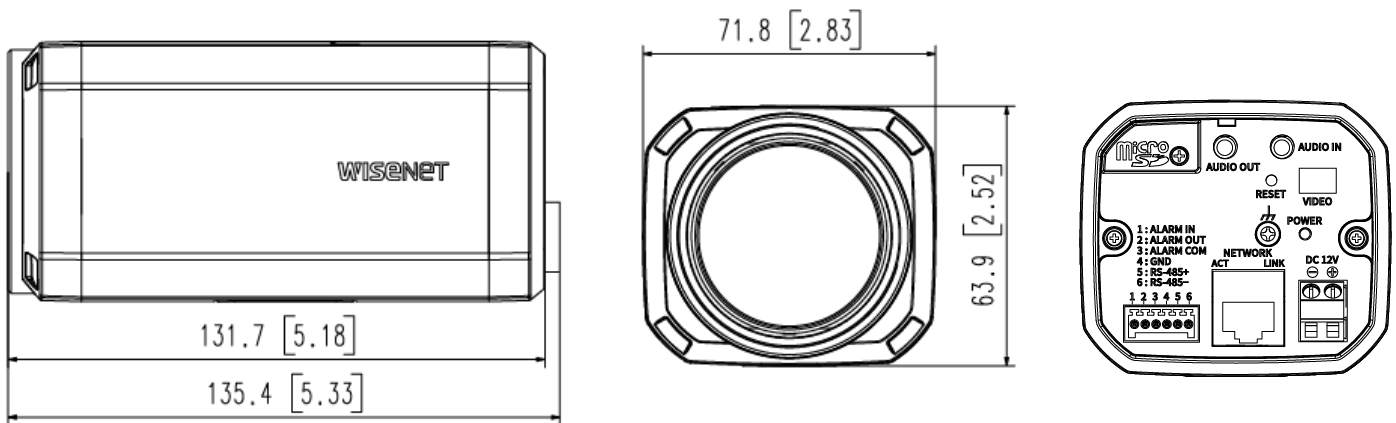


## Key Features

- 2 Megapixel (1920 x 1080) resolution
- 4.44 ~ 142.6mm Optical 32x zoom lens
- 60fps@all resolutions (H.265 / H.264)
- H.265, H.264, MJPEG Codec, Multiple streaming
- Day & Night (ICR), WDR (120dB), Defog
- DIS, Video & Audio Analytics
- PoE, SD/SDHC/SDXC memory slot

## Dimensions

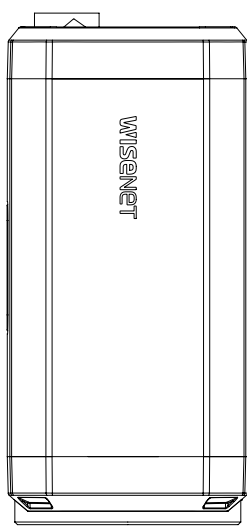
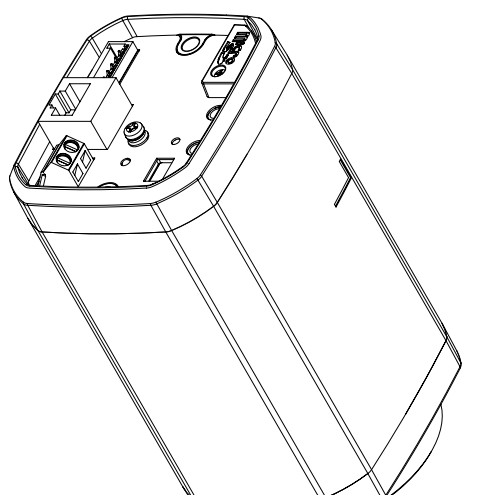
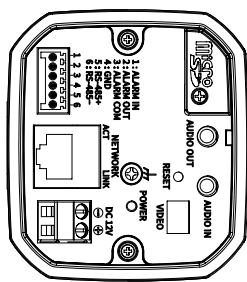
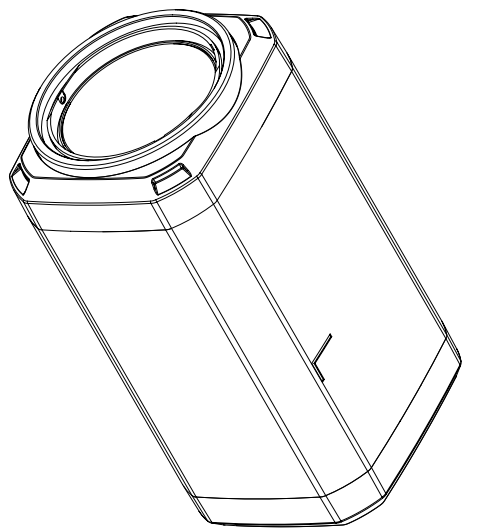
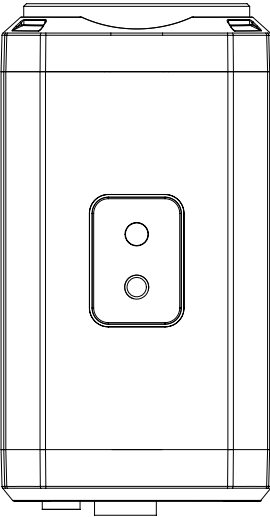
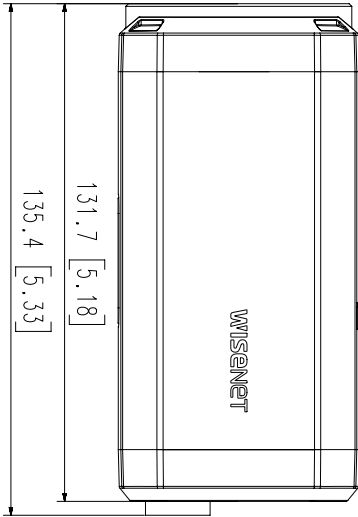
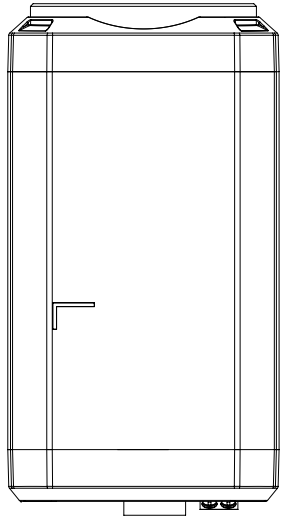
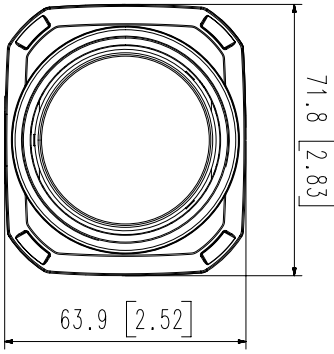
Unit : mm (inch)



<b>Video</b>	
Imaging Device	1/2.8" 2MP CMOS
Effective Pixels	1944(H)x1212(V)
Minimum Illumination	Color: 0.05 lux(F1.6, 1/30sec) B/W: 0.005 lux(F1.6, 1/30sec)
Video Out	CVBS: 1.0 Vp-p / 75Ω composite, 720x480, for installation
<b>Lens</b>	
Focal Length (Zoom Ratio)	4.44~142.6mm(32x) motorized varifocal
Maximum Aperture Ratio	F1.6(Wide) ~ F4.4(Tele)
Angular Field of View	H: 61.8°(Wide)~2.19°(Tele), V: 36.2°(Wide)~1.24°(Tele)
Minimum Object Distance	1.5m(4.92ft)
Focus Control	Auto, One shot AF
Lens Type	DC auto iris
<b>Operational</b>	
Camera Title	Displayed up to 85 characters
Day & Night	Auto(ICR)
Backlight Compensation	BLC, HLC, WDR, SDR
Wide Dynamic Range	120dB
Digital Noise Reduction	SSNR V
Digital Image Stabilization	Support
Defog	Support
Motion Detection	8ea, 8-point polygonal zones
Privacy Masking	32ea, polygonal zones - Color: Grey/Green/Red/Blue/Black/White - Mosaic
Gain Control	Low / Middle / High
White Balance	ATW / AWC / Manual / Indoor / Outdoor
LDC	Support
Electronic Shutter Speed	Minimum / Maximum / Anti flicker (2~1/12,000sec)
Video Rotation	Flip, Mirror
Analytics	Defocus detection, Directional detection, Fog detection, Face detection, Motion detection, Digital auto tracking, Appear/Disappear, Enter/Exit, Loitering, Tampering, Virtual line, Audio detection, Sound classification
Alarm I/O	Input 1ea / Output 1ea
Alarm Triggers	Analytics, Network disconnect, Alarm input
Alarm events	File upload via FTP and E-Mail Notification via E-Mail SD/SDHC/SDXC or NAS recording at Event Triggers Alarm output, Handover
Audio In	Selectable(Mic in/Line in), Supply voltage: 2.5VDC(4mA), Input impedance: 2K Ohm
Audio Out	Line out, Maximum output level: 1Vrms
<b>Network</b>	
Ethernet	RJ-45(10/100BASE-T)

<b>Video Compression</b>	H.265/H.264: Main/Baseline/High, MJPEG
<b>Resolution</b>	1920x1080, 1280x1024, 1280x960, 1280x720, 1024x768, 800x600, 800x448, 720x576, 720x480, 640x480, 640x360, 320x240
<b>Maximum Framerate</b>	H.265/H.264 : 60fps MJPEG: 30fps
<b>Smart Codec</b>	Manual(5ea area) WiseStream II
<b>Bitrate Control</b>	H.264/H.265: CBR or VBR MJPEG: VBR
<b>Streaming</b>	Unicast(20 users) / Multicast Multiple streaming(Up to 10 profiles)
<b>Audio Compression</b>	G.711 u-law /G.726 Selectable G.726(ADPCM) 8KHz, G.711 8KHz G.726 : 16Kbps, 24Kbps, 32Kbps, 40Kbps AAC-LC : 48Kbps at 16KHz
<b>Protocol</b>	IPv4, IPv6, TCP/IP, UDP/IP, RTP(UDP), RTP(TCP), RTCP,RTSP, NTP, HTTP, HTTPS, SSL/TLS, DHCP, FTP, SMTP, ICMP, IGMP, SNMPv1/v2c/v3(MIB-2), ARP, DNS, DDNS, QoS, PIM-SM, UPnP, Bonjour, LLDP, SRTSP
<b>Security</b>	HTTPS(SSL) Login Authentication Digest Login Authentication IP Address Filtering User access Log 802.1X Authentication(EAP-TLS, EAP-LEAP)
<b>Edge Storage</b>	Micro SD/SDHC/SDXC 1 slot 256GB
<b>Application Programming Interface</b>	ONVIF Profile S/G/T SUNAPI(HTTP API) Wisenet open platform
<b>Web Viewer</b>	Supported OS: Windows 7, 8.1, 10, Mac OS X 10.10, 10.11, 10.12 Recommended Browser: Google Chrome Supported Browser: MS Explorer 11, MS Edge, Mozilla Firefox(Windows 64-bit only), Apple Safari(Mac OS X only)
<b>Memory</b>	1024MB RAM, 256MB Flash
<b>Environmental</b>	
<b>Operating Temperature/Humidity</b>	-10°C ~ +55°C(-14°F ~ +131°F) / Less than 90% RH
<b>Storage Temperature / Humidity</b>	-50°C ~ +60°C(-58°F ~ +140°F) / Less than 90% RH
<b>Electrical</b>	
<b>Input Voltage</b>	PoE(IEEE802.3af, Class3), 12VDC
<b>Power Consumption</b>	PoE : Maximum 6.8W, Typical 4.8W 12VDC : Maximum 5.2W, Typical 3.5W
<b>Mechanical</b>	
<b>Color / Material</b>	Black / Metal
<b>Product dimensions / weight</b>	72x63.9x135.4mm(2.83x2.52x5.33"), 480g(1.06 lb)
<b>DORI</b>	
<b>Detect</b>	Wide: 64.2m(210.62ft) / Tele: 2009.0m(6592.2ft)
<b>Observe</b>	Wide: 25.7m(84.32ft) / Tele: 803.6m(11.30ft)
<b>Recognize</b>	Wide: 12.8m(2.24ft) / Tele: 401.8m(2636.48ft)
<b>Identify</b>	Wide: 6.4m(21.0ft) / Tele: 200.9m(659.12ft)

- The latest product information / specification can be found at [hanwhasecurity.com](http://hanwhasecurity.com)
- Design and specifications are subject to change without notice.
- Wisenet is the proprietary brand of Hanwha Techwin, formerly known as Samsung Techwin.



3	파생 MODEL2	
2	파생 MODEL1	
1	XNZ-L6320	'19.09.29
No.	MODEL NAME	DATE
Unit : mm [ inch ]		SCALE : 1/1